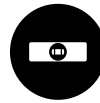




MS
SERIES

DRAWERS IN SHELVING

Installation Guide



Qty	Description
2 x	Front mounting profile
2 x	Rear mounting profile (black)
12 x	1/4-20 x 3/4" Hex bolt
12 x	1/4-20 Notched nut
1 x	Safety sticker
1 x	Installation Guide
3 x	Oval head self-drilling 6 x 1/2 screw
1 x	Stainless steel trim with LED (122GZ02-0001) (optional)



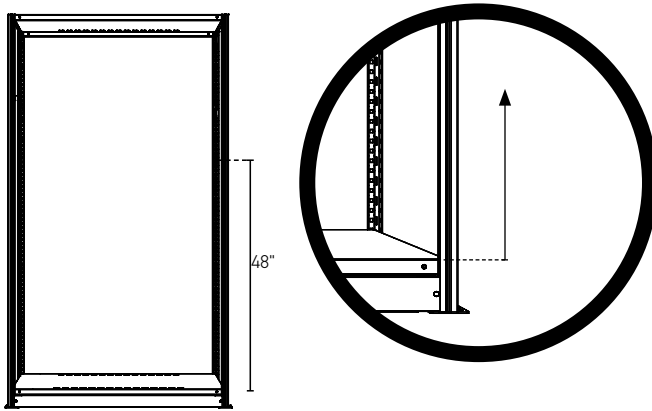
• Do not install more than 48" of drawers per unit.

• Do not install a drawer at more than 60" above ground.

• Each shelf unit must be anchored to the ground following manufacturer's recommendations.

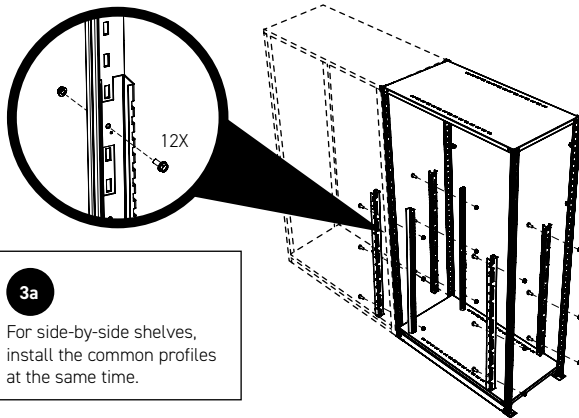
• Shelf unit with closed side and rear panels recommended.

1 Measure 48" from the bottom shelf to determine the upper profile attachment point.



! • Make sure the first shelf is installed at the lowest possible position.
• The rear panel must be installed only at step no 4.

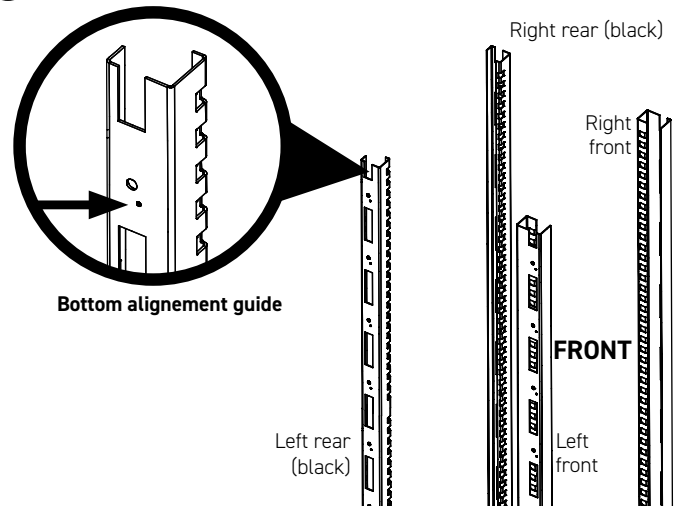
3 Install profiles in the shelf unit. The 48" profiles must be installed on the bottom shelf.



3a
For side-by-side shelves, install the common profiles at the same time.

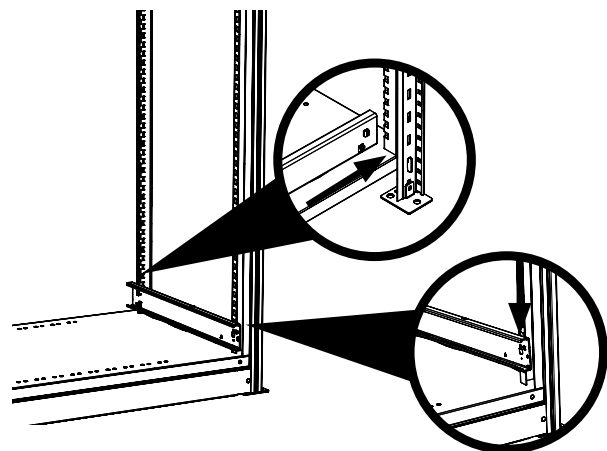
! It is recommended to install the rear crosspieces or the rear panels after the mounting profiles have been installed.

2 Identify the profiles.



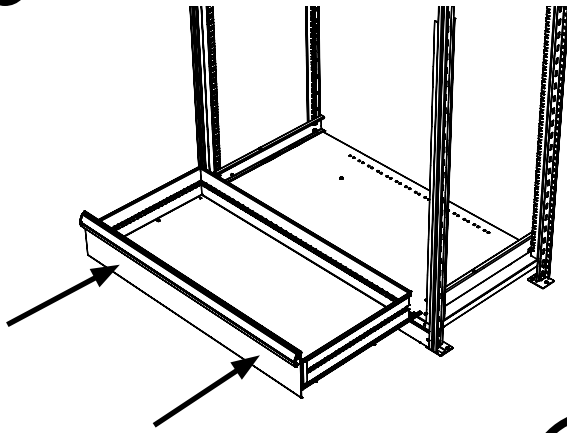
4 Installation of the panel joints and the rear panels must be done following manufacturer's recommendations.

5 Rail(s) installation: install rail at the lowest possible point.



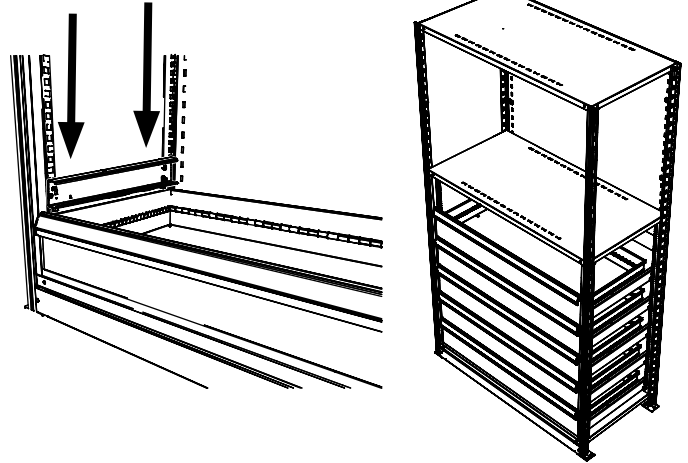
6

Install the first drawer.

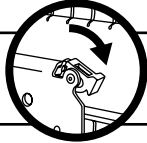


7

For the following drawers, install the rails in the next available position (as close as possible from the previous drawer). This will assure a minimum spacing between the drawers. Repeat for the next drawers.

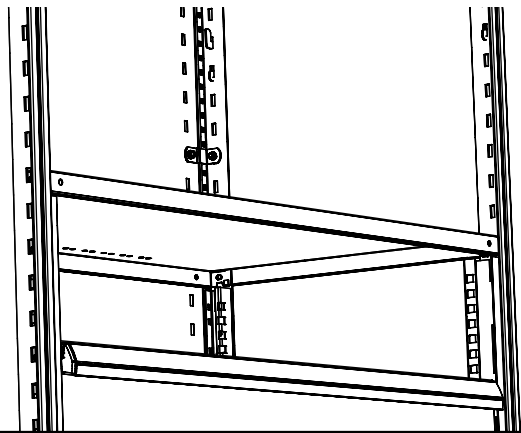


Disable rail safety catch before installing the drawer and enable it after installation.



8

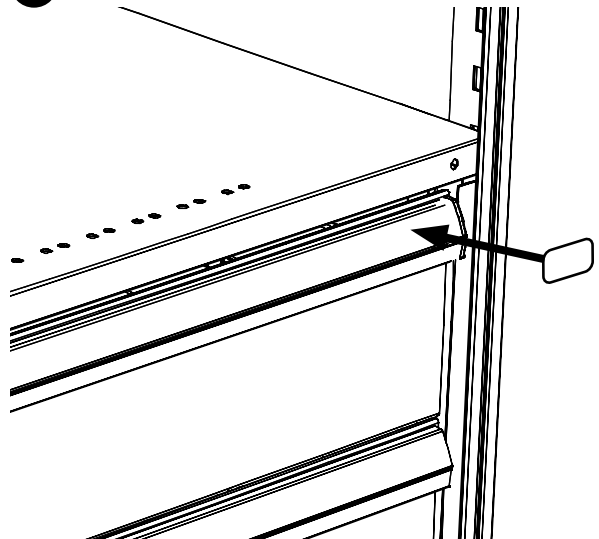
Place the upper shelf.



For a secure installation and to close the gap between the top drawer and the shelf, install the upper shelf with bolts and nuts. Do not install the shelf with hooks.

9

Install the safety sticker on the first handle.



10

OPTIONAL: install the stainless steel trim with LED using the 3 self-drilling screws.

